

Published based on [Big Agnes Fly Creek Ultralight UL2 Tent with FREE Footprint](#)

# **Big Agnes Fly Creek Ultralight UL2 Tent with FREE Footprint**



Looking for an incredibly light and durable 2 Person tent, that is straight forward to erect and really has room in it for two people? Then look no further than the Big Agnes [Fly Creek UL2](#) tent which uses some of the lightest materials available. The Fly Creek UL2 is of free standing design, for three season use and ultralight. This award winning tent is the bigger sibling of the highly popular Fly Creek UL1.

To buy this incredible product with a free footprint (worth over \$30) simply click on an image above.

This Fly Creek tent range is Big Agnes' lightest yet, and one of the lightest on the market today. It won the prestigious [Backpacker Magazine](#) Editors' Choice Award in 2010. Weighing a little over 2 lbs (2 lbs. 2 oz. trail weight, Packed Weight 2lb 10oz, Footprint Weight 5oz ) the Fly Creek UL2 is the tent ultralight campers have dreamed of!

The [Fly Creek UL2](#) uses the advanced Featherlite NSL pole system from manufacturer [DAC](#), constructed from eco-friendly anodized TH72M aluminium, with press fit connectors and lightweight hubs. With a single hub/pole design, DAC's twist clips quickly and easily attach the tent body to the pole frame.

The fly and floor are both made from ultralight silicone treated rip-stop nylon with a 1200mm waterproof polyurethane coating whilst the tent body is ultralight breathable nylon rip-stop and polyester mesh which offers excellent ventilation.

The **Big Agnes Fly Creek UL2** has a single door and a vestibule large enough to keep packs and boots in, whilst inside there are three handy side mesh pockets and loops to attach a gear loft (sold separately). Night time visibility has been considered by the manufacturer who has used reflective webbing on the tent corners and included reflective guylines.

All seams are taped with a waterproof, solvent-free polyurethane and there are 11 superlight eco-anodized aluminum J stakes. The Fly Creek UL2 has a floor area of 28sq ft, vestibule area of 7sq ft and head height of 38" yet packs down to just 6.5" x

19". Further size details can be found at the end of this review.

Buy now with complete confidence from our partner who is a major player in the outdoor sports industry. You can benefit from their FREE shipping offer on all orders over \$45 and receive a FREE footprint with every tent purchased (see site for terms and conditions). Your credit card details and purchase are 100% safe because they use secure server technology to encrypt all of your personal information. Once encrypted, your data cannot be read as it travels over the Internet.

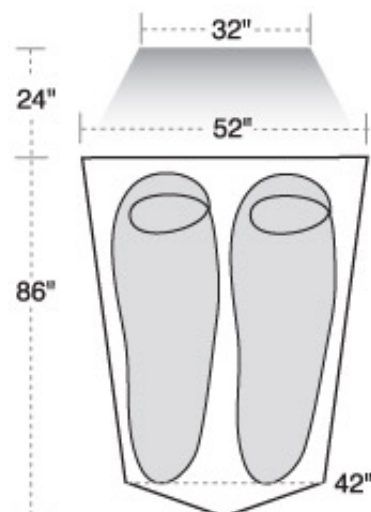
To buy this incredibly versatile, ultralight tent with a FREE genuine Big Agnes footprint (worth over \$30) simply click on the link below.

### Big Agnes Fly Creek UL2

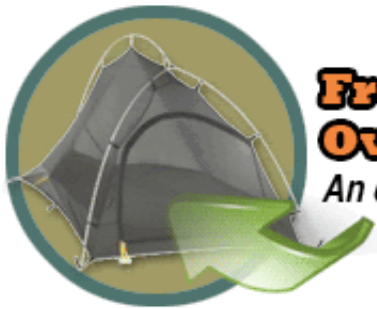
Or hear from a fellow outdoor enthusiast who has used the Fly Creek UL2 in punishing conditions

In 2008, Trevor Thomas became the first blind hiker to complete the Appalachian Trail, unassisted. Here is what he had to say about the Big Agnes Fly Creek UL 2 tent and [Dual Core sleeping pad](#) he had with him:

"The tent and sleeping pad are awesome. I have enough room in my tent for 2 people while the weight is about the same as my 1 person Marmot tent. Initially, I was not sure if I would be able to set it up quickly in bad weather but after taking Kellie's advice with adding a couple of karabiners to it I had no problems. I have had problems in my left hip ever since I cracked it on the AT and as a result I can't remember the last decent night sleep I had in the backcountry... Thank you for that."



**Big Agnes Fly Creek UL2**



**Free Footprint with Every Tent!  
Over \$30 in value! What a deal!**  
*An easy way to save your tent from abrasion wear.*

You can also find this article published on [Big Agnes Fly Creek Ultralight UL2 Tent with FREE Footprint](#), and on the tag pages [2 man tent](#), [2 person tent](#), [big agnes 2](#), [big agnes fly creek ul](#), [big agnes fly creek ul2](#), [big agnes tents](#), [big agnes ul](#), [big agnes ul 2](#), [fly creek](#), [fly creek 2](#), [fly creek review](#), [fly creek tent](#), [fly creek ul](#), [Fly Creek UL 2](#), [fly creek ul2](#), [free footprint](#), [free shipping](#), [tent review](#), [UL2](#), [ultralight tents](#).